

EUROMASTER

CAST IRON BOILERS

THERMIS



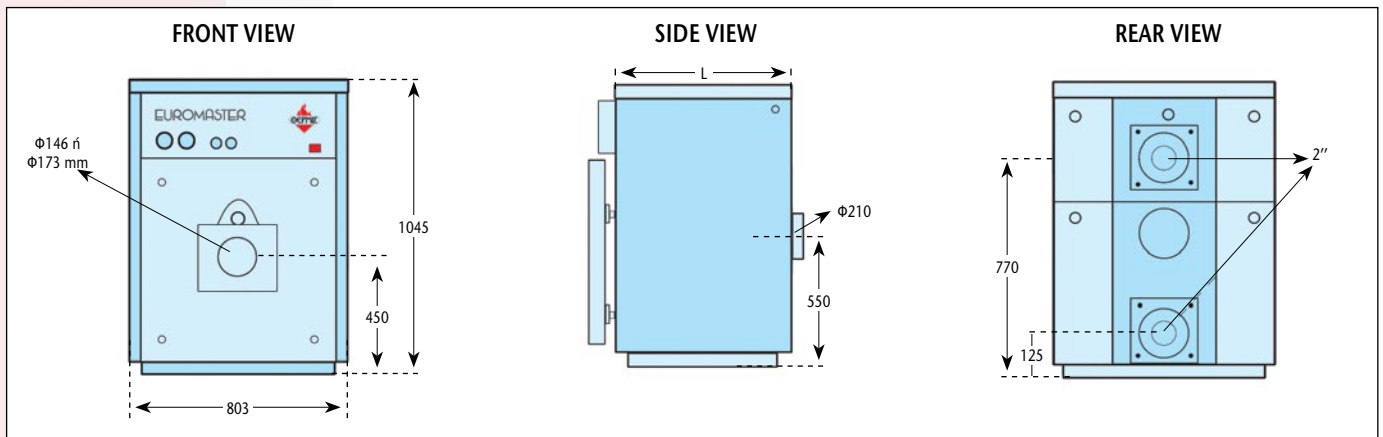
5 year warranty



since 1931

CE1783

- The EUROMASTER boiler is a modern, ultra-high pressure cast-iron boiler, with a 3-pass flue circulation system, with power-enhancement abilities, additional performance sections from 90,000 to 283,000 kcal.
- It is constructed from high-quality cast iron, low in phosphate, which provides boilers with very high longevity.
- Sliding door, insulated with Fiber-Ceramics, high-resistant and rotating on heavy-duty steel metal impellers.
- Pre-wired boiler control panel, with heat-resistant terminal strip.
- The combustion chamber is cylindrical, designed for a balanced distribution of expansion-contraction pressures.
- Toxoid holes, for the rest of the pipes, positioned circumferentially of the combustion chamber.
- The boiler's combustion chamber and gas paths include big, air-cooled fins for NOx reduction and faster absorption of flame radiation.
- Turbines in the 2nd and 3d pipes, made of fireproof steel.
- 3d generation covers, with integrated hooks for easy assembly which correspond to matching grooves, painted in double electrostatic powder paint.
- Rear high-flow mirror.
- The boiler's construction, energy efficiency and emissions meet the requirements of the European standards EN304, EN303-1, EN303-2, EN267+A1, EN303.03+676A2.



SPECIFICATIONS

Type	No of Sections	Power		Weight (kg)	Res/nce mm	Hydraulic Connection (in)	Flue Gas (mm)	Length	Height	Width
		kw	kcal/h							
EM-4	4	100-110	86.000-94.000	507	4	2"	210	742	1045	803
EM-5	5	140-153	120.000-132.000	609	9	2"	210	875	1045	803
EM-6	6	184-202	158.200-173.700	711	16	2"	210	1008	1045	803
EM-7	7	221-242	190.000-208.000	813	20	2"	210	1141	1045	803
EM-8	8	259-283	223.000-244.000	915	23	2"	210	1274	1045	803
EM-9	9	300-329	258.000-282.900	1017	33	2"	210	1407	1045	803

External appearance, the color of the covers, the technical specifications and the dimensions of the boiler may change without notice.